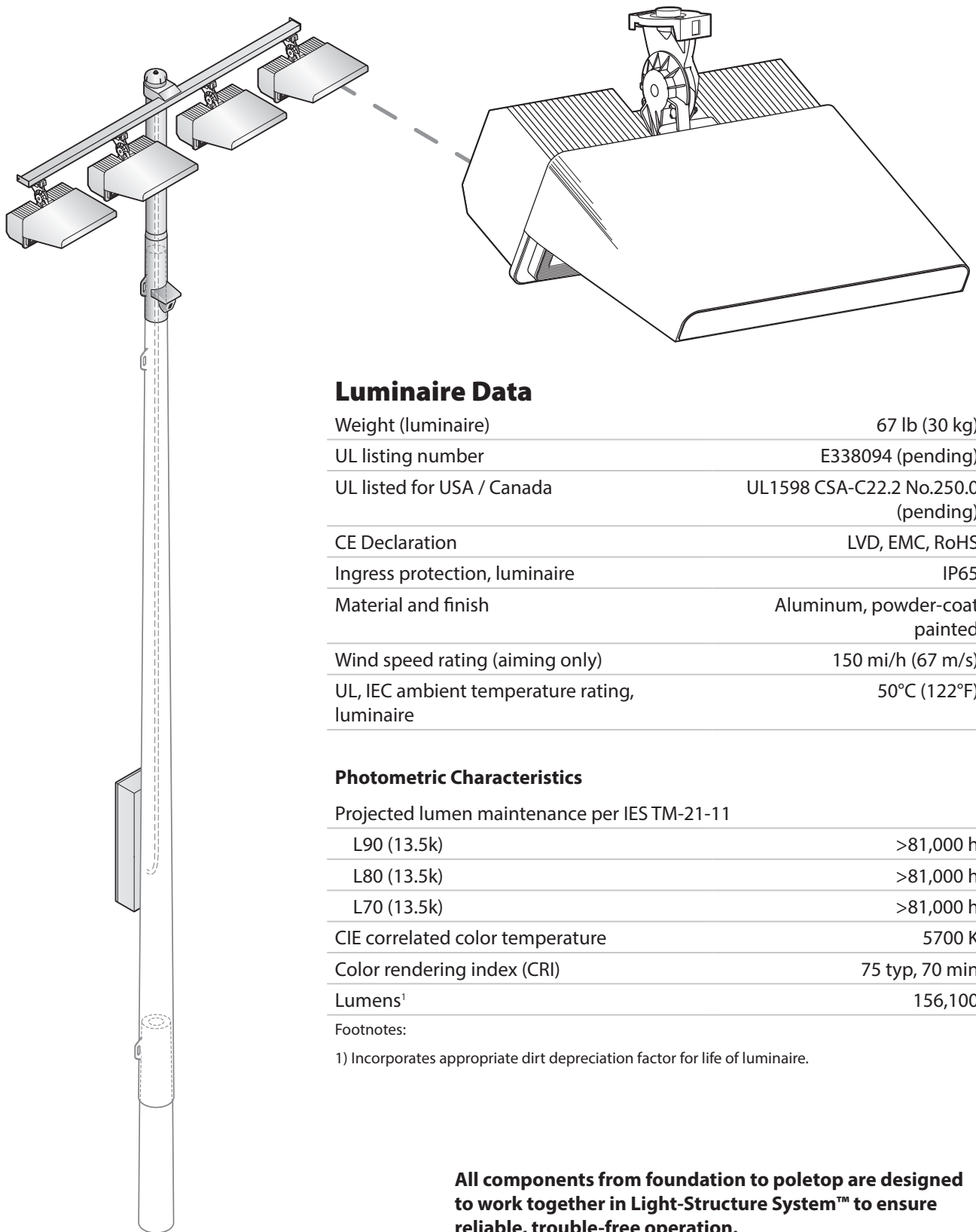


Luminaire and Driver – TLC-LED-1500



Luminaire Data

Weight (luminaire)	67 lb (30 kg)
UL listing number	E338094 (pending)
UL listed for USA / Canada	UL1598 CSA-C22.2 No.250.0 (pending)
CE Declaration	LVD, EMC, RoHS
Ingress protection, luminaire	IP65
Material and finish	Aluminum, powder-coat painted
Wind speed rating (aiming only)	150 mi/h (67 m/s)
UL, IEC ambient temperature rating, luminaire	50°C (122°F)

Photometric Characteristics

Projected lumen maintenance per IES TM-21-11	
L90 (13.5k)	>81,000 h
L80 (13.5k)	>81,000 h
L70 (13.5k)	>81,000 h
CIE correlated color temperature	5700 K
Color rendering index (CRI)	75 typ, 70 min
Lumens ¹	156,100

Footnotes:

1) Incorporates appropriate dirt depreciation factor for life of luminaire.

All components from foundation to poletop are designed to work together in Light-Structure System™ to ensure reliable, trouble-free operation.

Luminaire and Driver – TLC-LED-1500

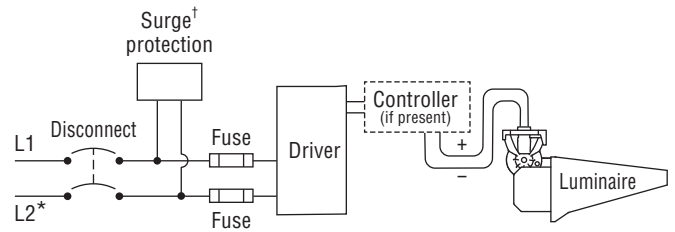
Driver Data

Electrical Data

Rated wattage¹

Per driver	1500 W
Per luminaire	1500 W
Number of luminaires per driver	1
Starting (inrush) current	<40 A, 256 μs
Fuse rating	15 A
UL, IEC ambient temperature rating, electrical components enclosure	45°C (113°F) - pending
Ingress protection, electrical components enclosure	IP54
Efficiency	95%
Dimming mode	optional
Range, energy consumption	11 – 100%
Range, light output	16 – 100%

Typical Wiring



* If L2 (com) is neutral then not switched or fused.
 † Not present if indoor installation.

	200 Vac 50/60 Hz	208 Vac 60 Hz	220 Vac 50/60 Hz	230 Vac 50 Hz	240 Vac 50/60 Hz	277 Vac 60 Hz	347 Vac 60 Hz	380 Vac 50/60 Hz	400 Vac 50 Hz	415 Vac 50 Hz	480 Vac 60 Hz
Max operating current per luminaire ²	9.30 A	8.95 A	8.46 A	8.09 A	7.75 A	6.72 A	5.36 A	4.90 A	4.65 A	4.49 A	3.88 A

Footnotes:

- 1) Rated wattage is the power consumption, including driver efficiency losses, at stabilized operation in 25°C ambient temperature environment.
- 2) Operating current includes allowance for 0.90 minimum power factor, operating temperature, and LED light source manufacturing tolerances.

Notes

1. Use thermal magnetic HID-rated or D-curve circuit breakers.
2. See *Musco Control System Summary* for circuit information.

